



# Starter Shingle Roll

For use at Eave & Rake



## Cut Time—Not Tabs

Starter Shingle Roll from Owens Corning eliminates the need for cutting shingle tabs or inverting them to create a starter row. So you save time.

## Easy Application

Application is a snap too. Simply apply a single course of Starter Shingle Roll along a clean, dry and smooth eave line, after removing the release sheet. Apply the Starter Shingle Roll directly onto the WeatherLock® underlayment or a layer of felt. Once it is pressed into place, you're ready to begin shingling.

## The Starter Shingle Roll advantages:

- Eliminates time-consuming tab cutting or shingle flopping
- Comes in handy individual rolls, measuring 7.2" wide x 33'4" long (0.183m x 10.18m)
- Easy peel-and-stick application
- Requires no special tools, hardware or training
- Compatible with most Owens Corning™ shingles, see back for application instructions
- Meets CCMC 13403-R

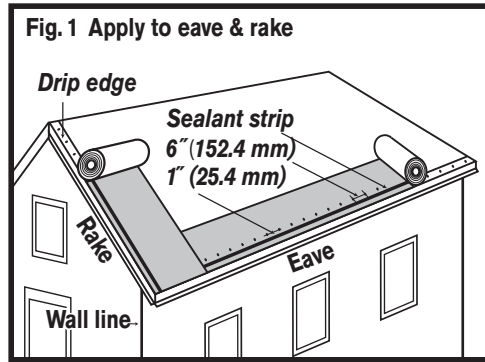
# STARTER SHINGLE ROLL APPLICATION INSTRUCTIONS

**Before installing this product, check roofing manufacturer's application instructions and local building codes for their roofing requirements.**

## Starter Shingle Roll:

1. **Application:** Align Starter Shingle Roll with eave & rake edge granular side up with the seal strip closest to the outer edge of the roof. Remove release backer and press to assure full adhesion to the underlayment. For rake application, install drip edge first before applying. See Fig. 1

**NOTE: When rolling out the starter roll ensure the product is laying flat with no humps before pressing into place. For best results, keep the starter roll at room temperature prior to application. When the starter is used with 3 tab shingles, the installer must ensure**



**that nails in the starter are not exposed between the cut outs of the overlying shingle.**

2. Nail placement, when required to obtain max wind warranty for roofing shingles, are installed 1" (25.4 mm) above the sealant strip and spaced every 6" (152.4 mm) along the eave.
3. Apply shingles once Starter Shingle Roll is installed. Apply shingles according to the shingle manufacturer's instructions.

## Precautionary Notes:

**The manufacturer will not be responsible for problems resulting from any deviation from the recommended application instructions and the following precautions:**

**Storage:** Store this product in a dry, well-ventilated area and stand upright. Do not store for extended periods over 90°F (32°C).

**Nails** must be corrosion-resistant, 11- or 12-gauge, with heads at least 3/8" (9.5 mm) in diameter.

**All Fasteners** must penetrate at least 3/4" (19.0 mm) into the wood deck or completely through plywood sheathing.



**ROOF SURFACE MAY BE SLIPPERY**

**FALLING HAZARD**

**WARNING:** This product contains a chemical known to the State of California to cause cancer.

**CAUTION:** May cause slight irritation. Contains Asphalt CAS#8052-42-4, Petroleum Oil CAS#64741-88-4, Styrene Butadiene Polymer CAS#9003-55-8, Proprietary

ingredient, Polymer Film. Repeated skin contact with petroleum oil in rubberized asphalt may increase risk of skin cancer. Avoid contact with skin. Eye contact may cause irritation. For more information, consult your employer or Owens Corning by writing: Owens Corning World Headquarters, ATTN: Product Stewardship, Toledo, Ohio 43659; or calling: 1-800-GET-PINK® (1-800-438-7465)



**OWENS CORNING**  
**ROOFING AND ASPHALT, LLC**  
ONE OWENS CORNING PARKWAY  
TOLEDO, OHIO, USA 43659  
**1-800-GET-PINK®**  
[www.owenscorning.com/roofing](http://www.owenscorning.com/roofing)

Pub. No. 61119-E. Printed in U.S.A. July 2014. THE PINK PANTHER™ & ©1964-2014 Metro-Goldwyn-Mayer Studios Inc. All Rights Reserved. The color PINK is a registered trademark of Owens Corning. © 2014 Owens Corning. All Rights Reserved.

